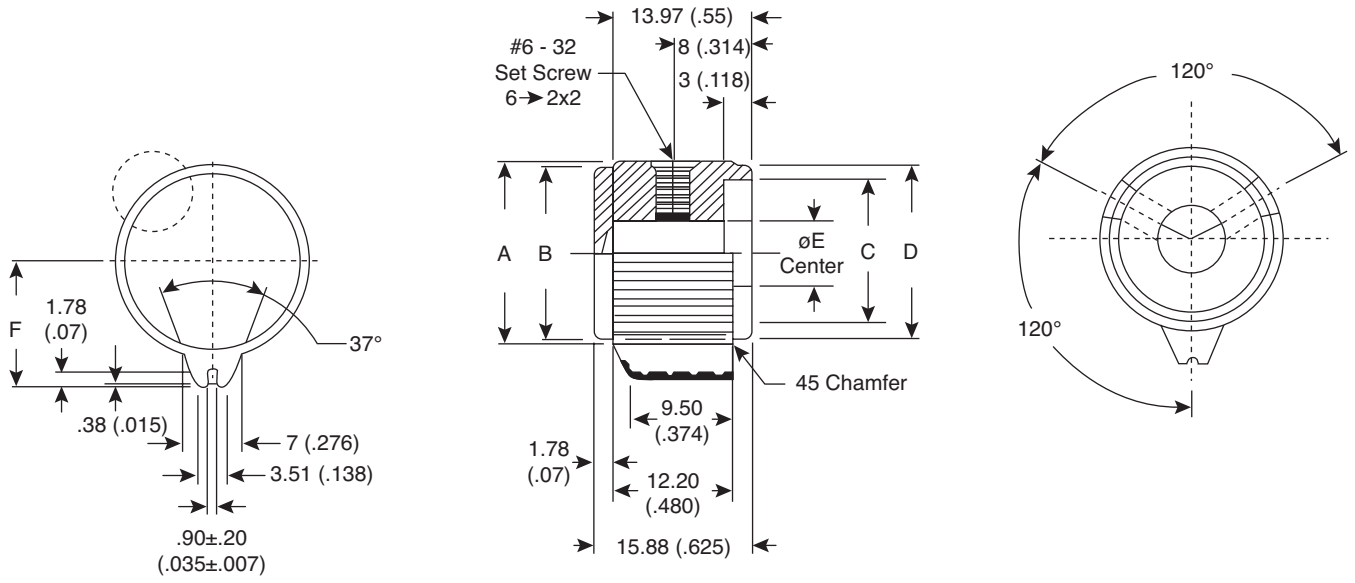


Date Last Revised: 6/30/05



Dimensions: mm (In.)

SPECIFICATIONS	
Material:	Solid Aluminum
Tolerance:	ø0-4±.10mm, ø4.10-16±.25mm, ø16-64±.30mm
Finish:	Spin

DIMENSIONS MM (IN.)							
Mouser Stock No.	A	B	C	D	E	F	Body
450-MPN71	19 (.75)	17.70 (.70)	15 (.59)	17.70 (.70)	6.40 (.25)	13 (.51)	Natural
450-MPN91	23.80 (.94)	22.40 (.88)	17.60 (.70)	22.40 (.88)	6.40 (.25)	16 (.63)	Natural
450-MPN72	19 (.75)	17.70 (.70)	15 (.59)	17.70 (.70)	6.40 (.25)	13 (.51)	Black
450-MPN92	23.80 (.94)	22.40 (.88)	17.60 (.70)	22.40 (.88)	6.40 (.25)	16 (.63)	Black

Available from Mouser Electronics
 1-800-346-6873
 www.mouser.com

EPD-200214

Specifications are subject to change without notice. No liability or warranty implied by this information. Environmental compliance based on producer documentation.